

# NOARK

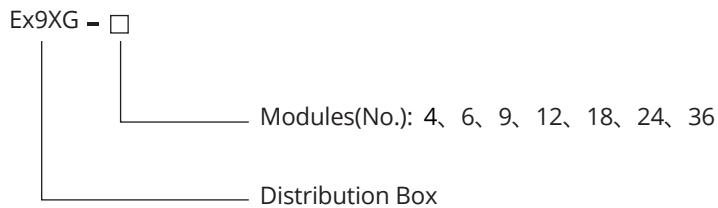
EMPOWERING SUSTAINABILITY



## Ex9XG Series Plastic Distribution Box



# Ex9XG series plastic distribution box



## 1. Overview



Waterproof, dustproof, with a protection level of IP65, UV resistant, and a scorching wire temperature of 650 °C . Gland holes can be opened according to the customer's specifications, for convenient installation while maintaining IP integrity.

## 2. Parameters

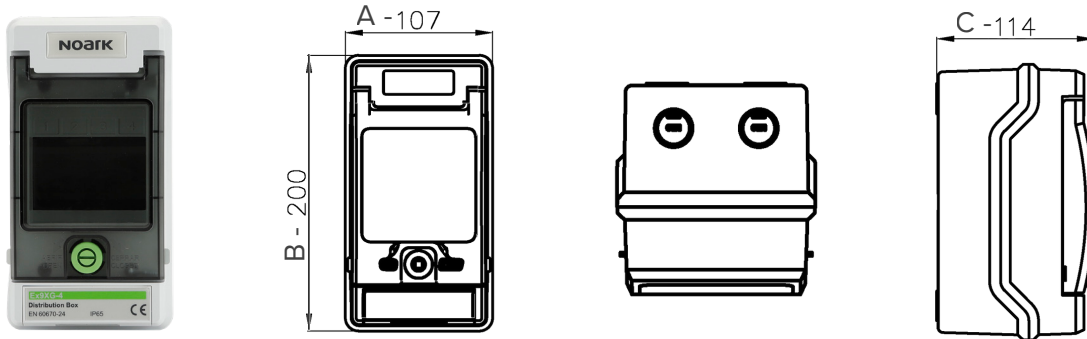
- Modules (No.):4,6,9,12,18,24,36
- According the standard: EN 60647-24
- Rated current (A):100
- The color of door: Transparent
- Mounting type: Surface
- Degree of protection: IP65
- Material: ABS for body, PC for door
- Fire resistance: 650°C/30s
- Ambient temperature(°C): -25~+40.max, 95% humidity
- Storage temperature (°C): -40~+75



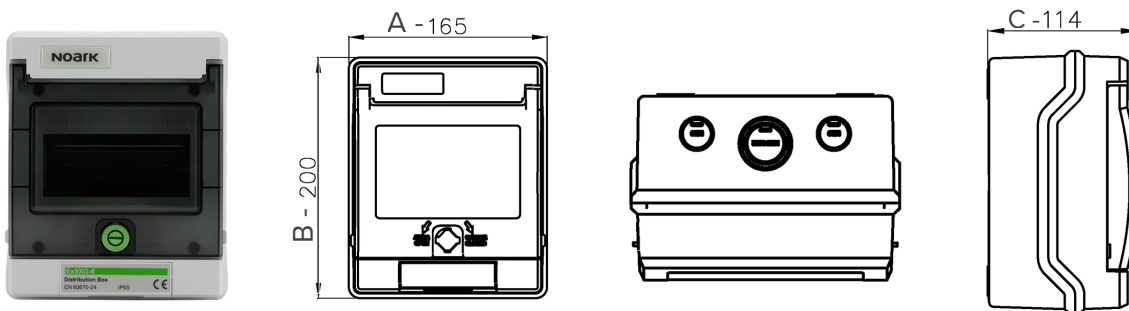
# Ex9XG series plastic distribution box

## 3. Dimensions

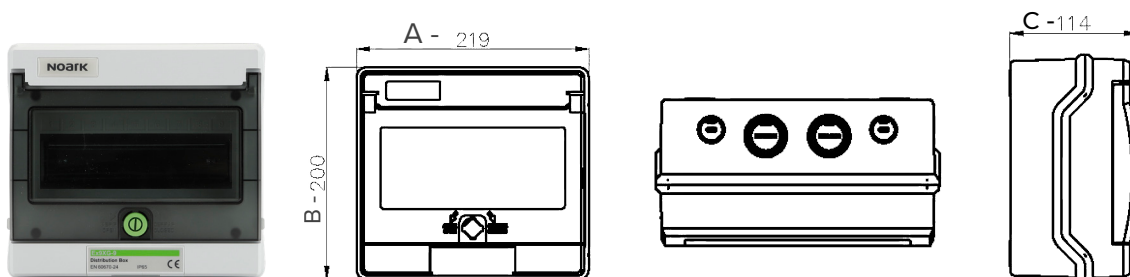
### Ex9XG-4



### Ex9XG-6

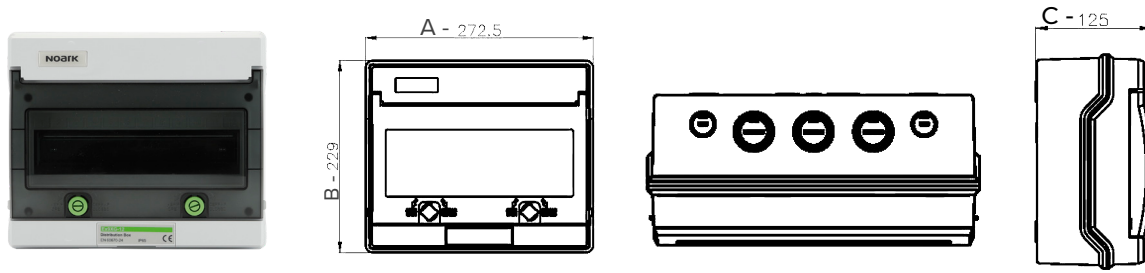


### Ex9XG-9

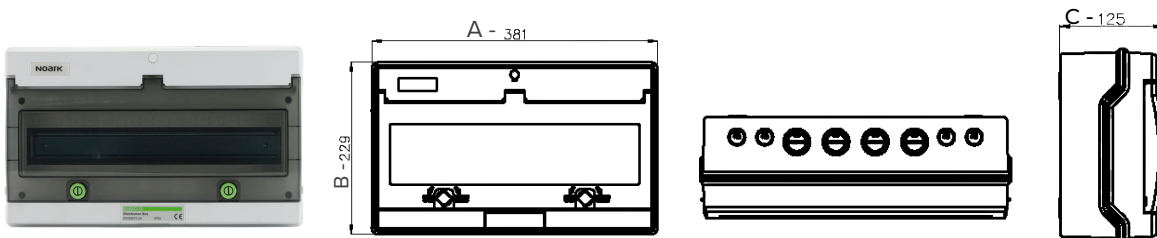


# Ex9XG series plastic distribution box

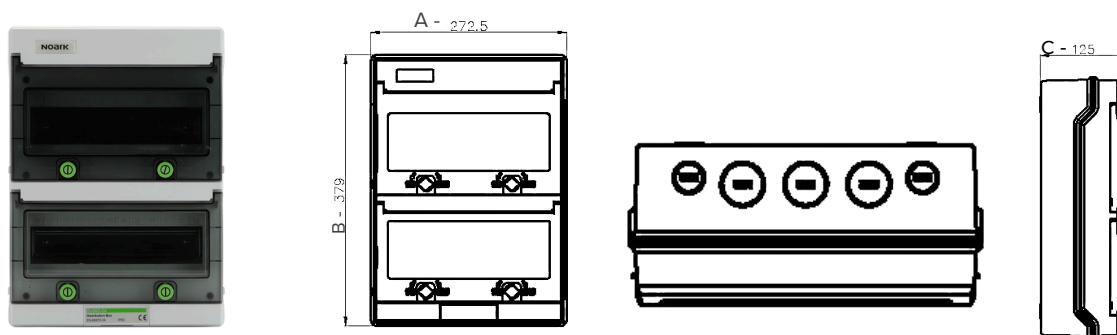
## Ex9XG-12



## Ex9XG-18

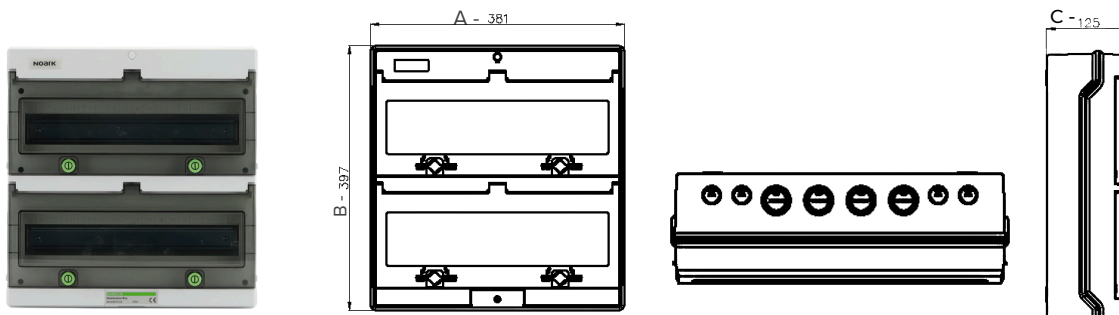


## Ex9XG-24

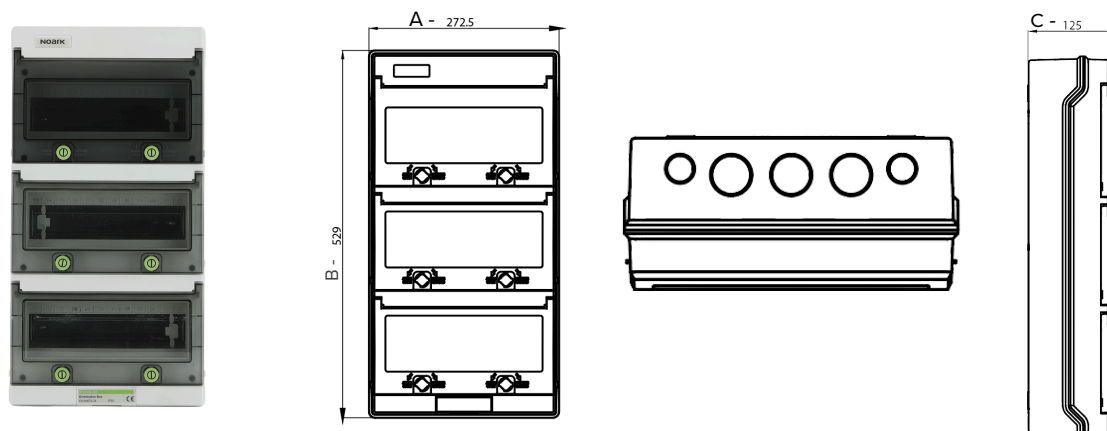


# Ex9XG series plastic distribution box

## Ex9XG-36/2



## Ex9XG-36/3

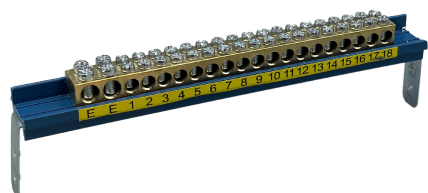


Model	Description	Part No.	A	B	C	Tolerance
Ex9XG-4	Plastic Distribution Box IP65 (excl. busbar) 4-Way	850251	107	200	114	±2
Ex9XG-6	Plastic Distribution Box IP65 (excl. busbar) 6-Way	850252	165	200	114	
Ex9XG-9	Plastic Distribution Box IP65 (excl. busbar) 9-Way	850253	219	200	114	
Ex9XG-12	Plastic Distribution Box IP65 (excl. busbar) 12-Way 1-Row	850254	272.5	229	125	
Ex9XG-18	Plastic Distribution Box IP65 (excl. busbar) 18-Way 1-Row	850255	381	229	125	
Ex9XG-24	Plastic Distribution Box IP65 (excl. busbar) 24-Way 2-Row	850256	272.5	379	125	
Ex9XG-36/2	Plastic Distribution Box IP65 (excl. busbar) 36-Way 2-Row	850257	381	397	125	
Ex9XG-36/3	Plastic Distribution Box IP65 (excl. busbar) 36-Way 3-Row	850365	272.5	529	125	

Unit:mm

# Ex9XG series plastic distribution box

## 4. Accessories



### Neutral Earth Bar

Part No.	Description	Model
850234	Neutral Earth Bar for Ex9XG 4 circuits	Ex9XG-BBU-4-2
850236	Neutral Earth Bar for Ex9XG 6 circuits	Ex9XG-BBU-6-2
850238	Neutral Earth Bar for Ex9XG 9 circuits	Ex9XG-BBU-9-2
850240	Neutral Earth Bar for Ex9XG 12 circuits	Ex9XG-BBU-12-2
850242	Neutral Earth Bar for Ex9XG 18 circuits	Ex9XG-BBU-18-2
850244	Neutral Earth Bar for Ex9XG 24 circuits	Ex9XG-BBU-24-2
850246	Neutral Earth Bar for Ex9XG-BBU-36/2-2	Ex9XG-BBU-36-2
850364	Neutral Earth Bar for Ex9XG-BBU-36/3-2	Ex9XG-BBU-36-3



### Lock for Ex9XG

Part No.	Description	Model
850247	Lock for Ex9XG-Plastic A type	Ex9XG-KLK-PA
850248	Lock for Ex9XG-Plastic Triangle B type	Ex9XG-KLK-PB
850249	Lock for Ex9XG- Matel type incl. key	Ex9XG-KLK-M



### Pole Filler

Part No.	Description	Model
850250	Pole Filler (108mm)	Ex9XG-PF108

# Ex9XG series plastic distribution box

## 5. Application

The Ex9XG series plastic distribution box is suitable for construction sites, outdoor charging stations parking lots, shops, gardens, bathrooms and other places, electricity meters and other electric products provide waterproof, moisture-proof, dustproof, smoke proof and other functions.



# NOARK

EMPOWERING SUSTAINABILITY

## Noark Version I | 2024

Warehouse 1 10-12 Fairford Road Padstow, NSW 2211

Ph: +61 1300 771 739

Email: [mkt@noark.au](mailto:mkt@noark.au)

[www.noark.au](http://www.noark.au)

© Noark. **NO-CN A39 2022.04**

The Company reserves the final interpretation right.