

DC Fuse disconnectors Ex9FP30H for PV

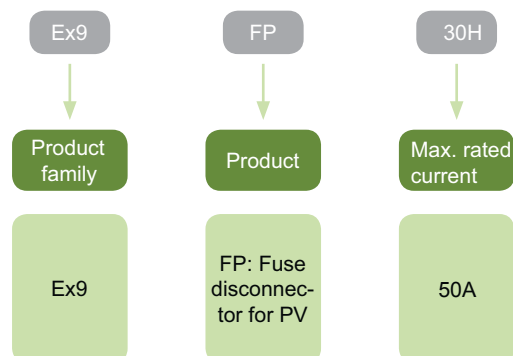


- DC Fuse disconnectors for PV systems
- Rated short-circuit breaking capacity I_{cn} with appropriate fuse-link up to 20 kA
- Rated current up to 50 A
- Fuse-links of size 10 x 85 mm

Rated operational voltage 1500 V DC

Fuse disconnectors Ex9FP30H for photovoltaic strings protection against. Suitable for cylindrical fuse-links of size 10 x 85 mm.

Type Key



Certification marks



DC Fuse disconnectors Ex9FP30H for PV

1-pole



Poles	Article No.	Type	Packing
1	850036	Ex9FP30H	1/12/144

Fuse-link



Dimension(mm)	Rated current(A)	Article No.	Type
10x85	2	850037	Ex9FP30 2H
10x85	4	850038	Ex9FP30 4H
10x85	6	850039	Ex9FP30 6H
10x85	8	850040	Ex9FP30 8H
10x85	10	850041	Ex9FP30 10H
10x85	12	850042	Ex9FP30 12H
10x85	15	850043	Ex9FP30 15H
10x85	16	850044	Ex9FP30 16H
10x85	20	850045	Ex9FP30 20H
10x85	25	850046	Ex9FP30 25H
10x85	30	850047	Ex9FP30 30H
10x85	32	850434	Ex9FP30 32H IEC

Parameters DC Fuse Disconnectors Ex9FP30H

General parameters

Protecting for overload and short-circuit current in PV applications

Electrical parameters

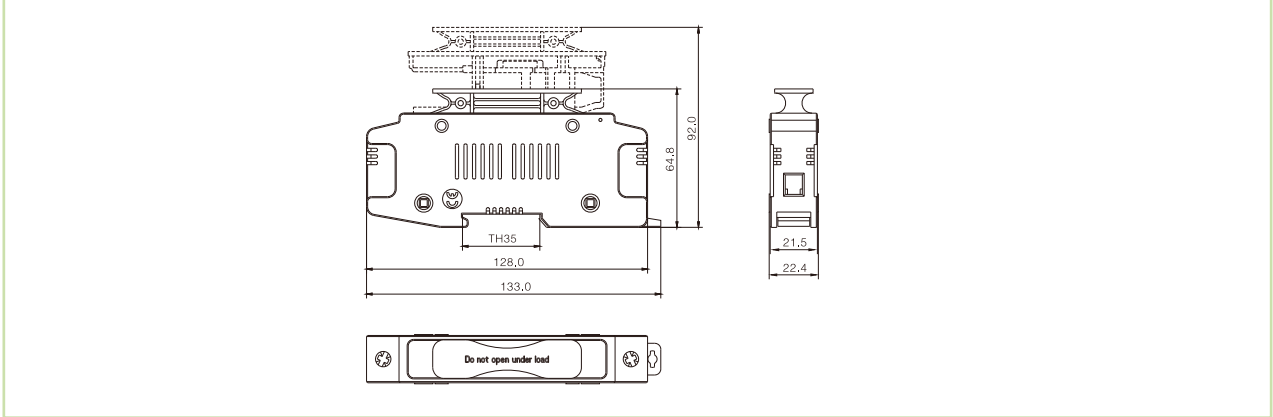
Tested according to	IEC/EN 60947-3
Rated op. voltage	1500 V DC
Rated current I_n DC-20B 1000 V DC	up to 30 A
Number of poles	1
Rated short-time breaking capacity	20 kA
Maximum power loss of fuse link	≤ 9 W

Mechanical parameters

Device width	22.4 mm (per pole)
Device height	128 mm (133 mm including rail clip)
Frame size	64.8 mm
Mounting	easy fastening onto 35 mm device rail (DIN)
Degree of protection	IP20
Terminal capacity	1 — 25 mm ²
Ambient temperature	-35 — +70 °C
Altitude	≤ 2000 m
Relative humidity	≤ 95 %
Resistance to humidity and heat	class 2
Pollution degree	3
Installation class	III
Fuse dimension	10 x 85 mm

Parameters DC Fuse Disconnectors Ex9FP30H

Dimensions



Ordering data p. 2