

# Accessories for Ex9NL-N and Ex9NLE

## Auxiliary and signal contact units



Function	Contacts	Article No.	Type	Packing
Auxiliary	1 CO	112869	AXC31 11	12/180
Signal	1 CO	112870	AXLC31 11	12/180

Wiring diagrams

Technical data p. 292



AXC31 / AXLC31

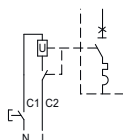
## Shunt trip releases



Aux. cont.	AC Op. Volt.	DC Op. Volt.	Article No.	Type	Packing
-	230/400	-	103548	SHTC31 230/400V AC	1/135
-	48	48	112871	SHTC31 48V AC/DC	1/135
-	24	24	112872	SHTC31 24V AC/DC	1/135

Wiring diagrams

Technical data p. 294



SHTC31

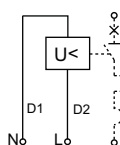
## Undervoltage releases



Aux. cont.	AC Op. Volt.	DC Op. Volt.	Article No.	Type	Packing
-	230V	-	103552	UVTC31 230V AC	1/135

Wiring diagrams

Technical data p. 296



UVTC31

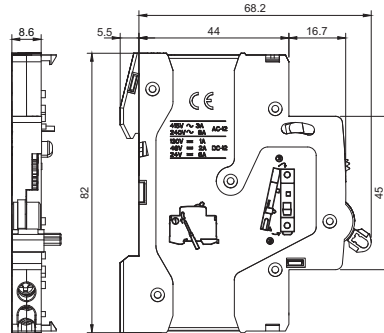
Technical data p. 292

# Technical Data Accessories

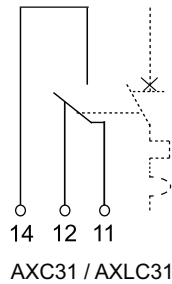
## Accessories for Ex9NL-N and Ex9NLE

### Auxiliary and signal contact units AXC31, AXLC31

#### Dimensions



#### Wiring diagrams



# Technical Data Accessories

## Accessories for RCBOs Ex9NL-N and Ex9NLE

### Shunt trip releases SHTC31

#### General parameters

With one RCBO can be used up to two release units (shunt trip or undervoltage), they can be combined in an arbitrary way

Releases are mounted to the device from the left side

SHTC31 can be used for remote switch off function

#### Electrical parameters

	SHTC31 230/400V AC	SHTC31 24V AC/DC	SHTC31 48V AC/DC
Tested according to	IEC/EN 60947-5		
Rated operating voltage $U_n$	230/400 V AC	24 V AC/DC	48 V AC/DC
Operating voltage range	70 - 110% $U_n$		
Rated frequency	50/60 Hz		
Rated impulse withstand voltage $U_{imp}$	4 kV (1.2/50 $\mu$ s)		
Rated insulation voltage	500 V		
Tripping time	< 10 ms		
Min. duration of control pulse	8 ms		
Max. back-up fuse	10 A gG		
Electrical service life	4 000 operating cycles		
Rated op. current $I_e$ AC of AX contact	6 A (240 V), 3 A (415 V)		
Rated op. current $I_e$ DC of AX contact	6 A (24 V), 2 A (48 V)		
Rated thermal current $I_{th}$ of AX cont.	6 A		
Rated op. current $I_e$ , AC-12 of AX	6 A (240 V), 3 A (415 V)		
Rated op. current $I_e$ , DC-12 of AX	6 A (24 V), 2 A (48 V)		
Max. back-up fuse of AX	10 A gG		
Conditional short circuit current $I_k$ with max. back-up fuse of AX	1 kA		

#### Mechanical parameters

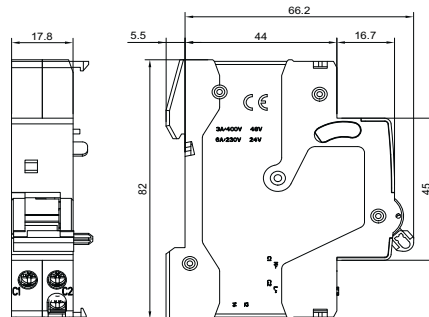
	SHTC31 230/400V AC	SHTC31 24V AC/DC	SHTC31 48V AC/DC
Tripping indicator	red-white	red-white	red-white
Device width	18 mm		
Device height	83 mm		
Frame size	45 mm		
Mounting	easy fastening onto 35 mm device rail (DIN)		
Degree of protection	IP20		
Mechanical service life	4 000 operating cycles		
Terminals	lift		
Terminal capacity	2.5 mm <sup>2</sup>		
Fastening torque of terminals	0.8 Nm		
Ambient temperature	-5 — +40 °C		
Storage temperature	-25 — +70 °C		
Pollution degree	2		

# Technical Data Accessories

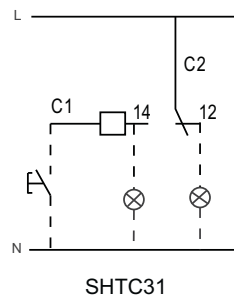
## Accessories for RCBOs Ex9NL-N and Ex9NLE

### Shunt trip releases SHTC31

#### Dimensions



#### Wiring diagram



# Technical Data Accessories

## Accessories for RCBOs Ex9NL-N and Ex9NLE

### Undervoltage release UVTC31

#### General parameters

With one RCBO can be used up to two release units (shunt trip or undervoltage), they can be combined in an arbitrary way

Release units are mounted to the RCBO from the left side

To switch connected device off in case of voltage drop

#### Electrical parameters

	<b>UVTC31 230V AC</b>
Tested according to	IEC/EN 60947-5
Rated operating voltage $U_n$	230 V AC
Rated frequency	50/60 Hz
Rated impulse withstand voltage $U_{imp}$	4 kV (1.2/50 $\mu$ s)
Rated insulation voltage	500 V
Tripping time	< 10 ms
Making threshold	85 % $U_n$
Tripping threshold	35 % $U_n$
Electrical service life	4 000 operating cycles

#### Mechanical parameters

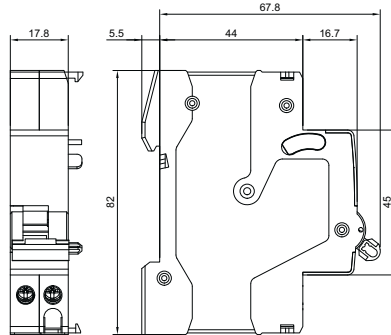
	<b>UVTC31 230V AC</b>
Tripping indicator	red-white
Device width	18 mm
Device height	83 mm
Frame size	45 mm
Mounting	easy fastening onto 35 mm device rail (DIN)
Degree of protection	IP20
Mechanical service life	4 000 operating cycles
Terminals	lift
Terminal capacity	2.5 mm <sup>2</sup>
Fastening torque of terminals	0.8 Nm
Ambient temperature	-5 — +40 °C
Storage temperature	-25 — +70 °C
Pollution degree	2

# Technical Data Accessories

## Accessories for RCBOs Ex9NL-N and Ex9NLE

### Undervoltage releases UVTC31

#### Dimensions



#### Wiring diagrams

